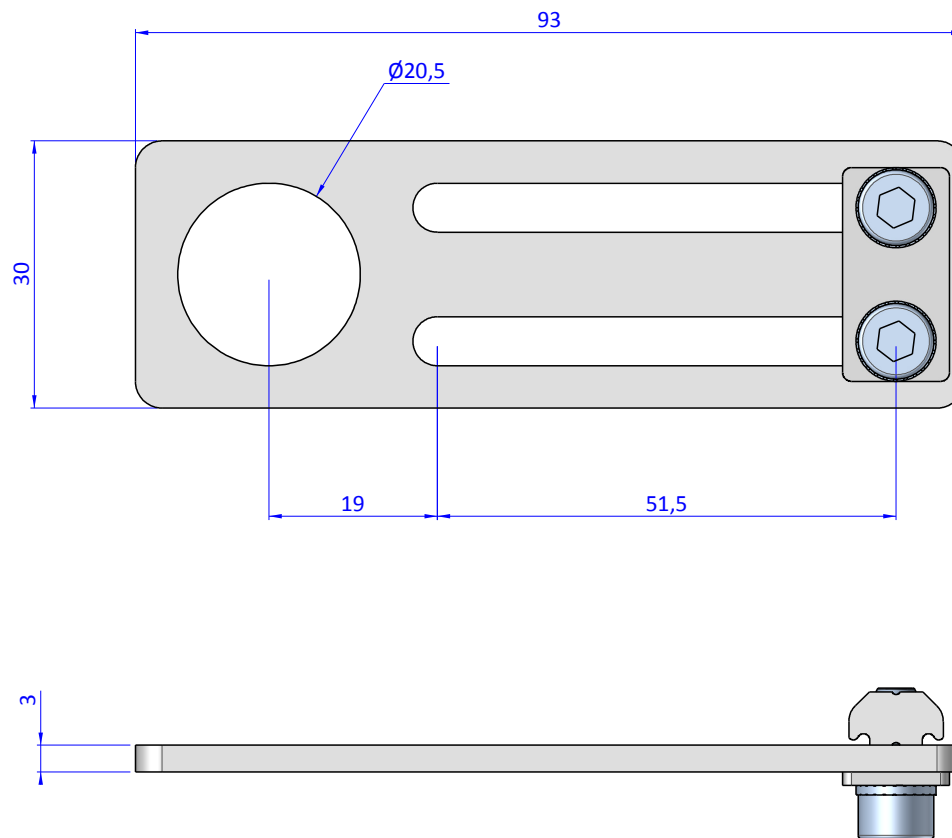
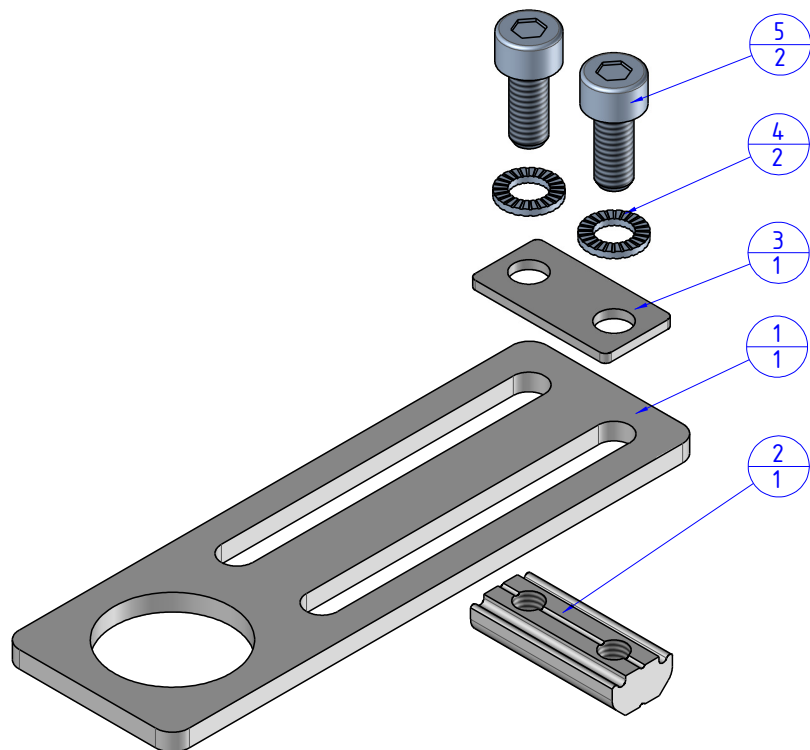


THE PROPERTY OF THE DRAWING IS ESTABLISHED BY LAW. IT IS FORBIDDEN TO PRODUCE OR SHOW IT TO THIRD PARTY WITHOUT A WRITTEN AGREEMENT.

Item	Name	Q.ty
1	CA.04.20.20	1
2	CA.GWP.5.15	1
3	R.05.15	1
4	R.5.SCH	2
5	V.TCE5x12	2



Format A3  
UNI 936-76

		DESIGNED FROM		REVIEW
		FP SERVICES		A
GENERAL TOLERANCE		DATE	WEIGHT	
UNI - ISO 2768		30/04/2016	0,065kg	
CLASSE 1		CODE		
		CA.04.20.20.X		CA.04.20.20.X